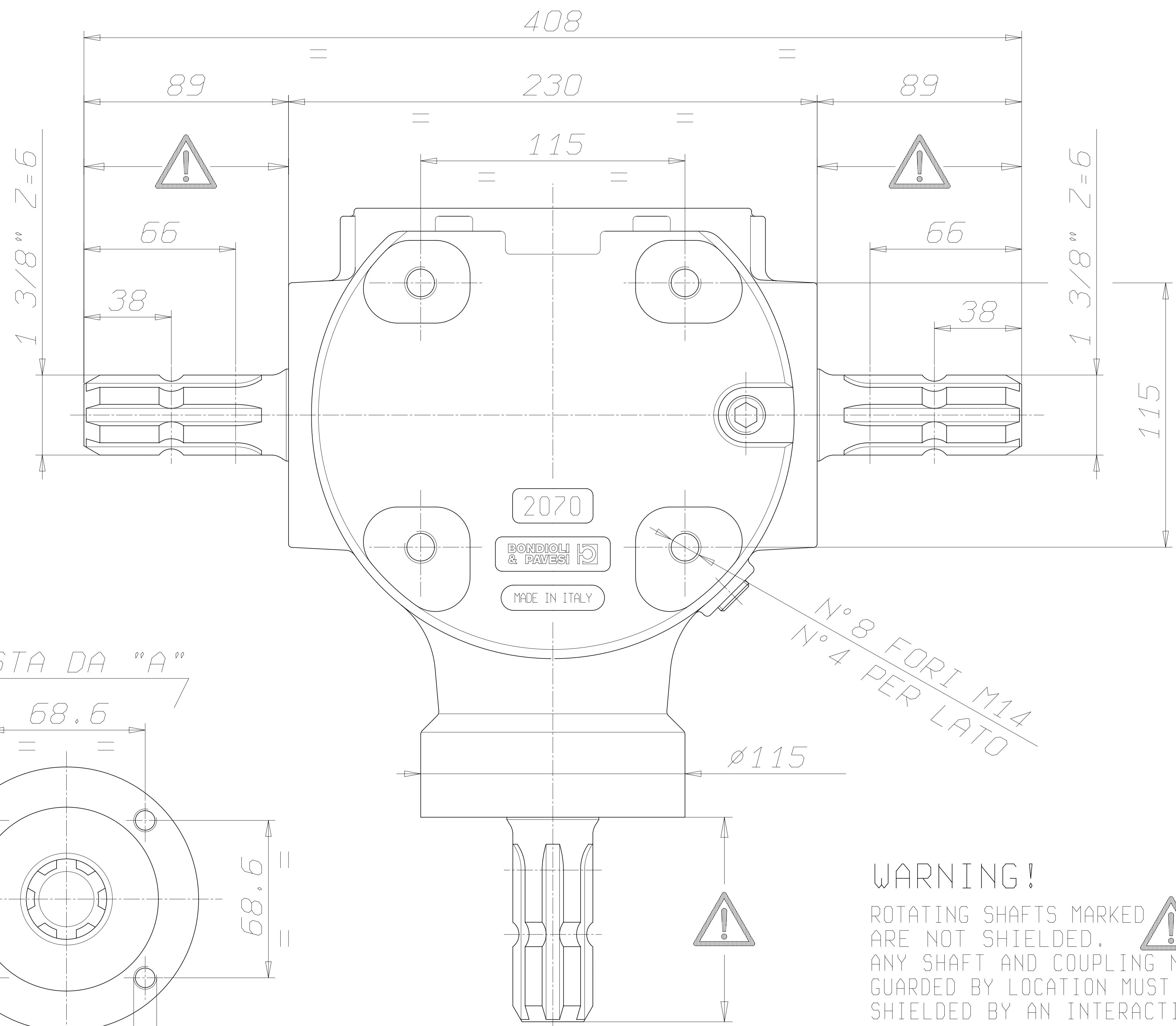
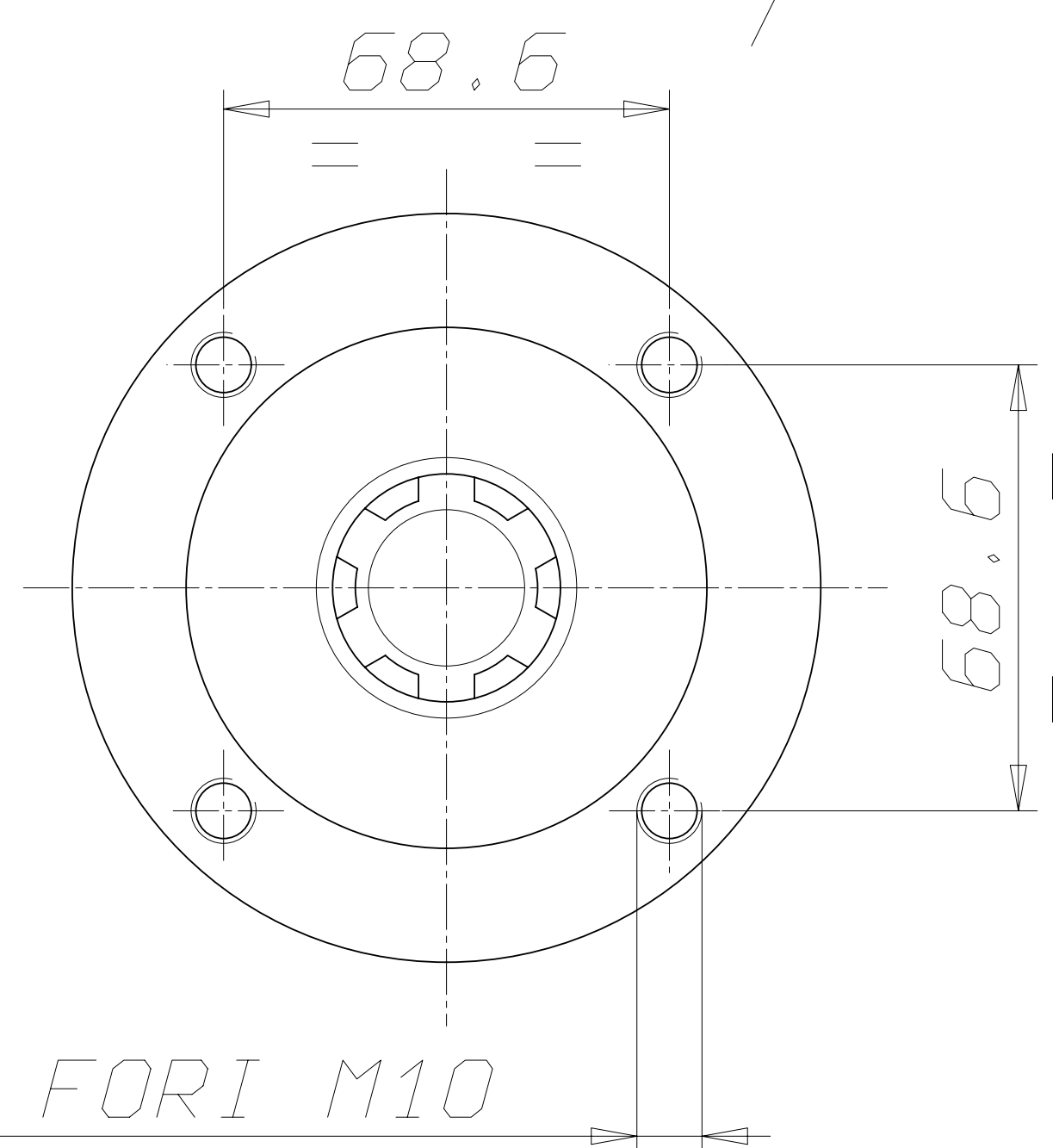


N° 8 FORI M10
N° 4 PER LATO



VISTA DA "A"



N° 4 FORI M10

2070
BONDIOLI & PAVESI
MADE IN ITALY

N° 8 FORI M14
N° 4 PER LATO

WARNING!
ROTATING SHAFTS MARKED WITH THIS WARNING SIGN ARE NOT SHIELDED. ANY SHAFT AND COUPLING NOT GUARDED BY LOCATION MUST BE SHIELDED BY AN INTERACTIVE GUARDING SYSTEM. BONDIOLI & PAVESI DECLINES RESPONSIBILITY IF PROPER GUARDS ARE NOT PROVIDED AND MAINTAINED.

a	CREATO MINIDISEGNO	Raffaldoni	9/1/2007
Rev.	Descrizione Modifica	Operatore	Data

MONTAGGIO / GEAR ARRANGEMENTS		RAPPORTO / RATIO		TIPO / TYPE		CLIENTE / CUSTOMER			
		1.92:1		2070					
		GIRI IN ENTRATA / INPUT SPEED		TIPO DI MACCHINA / TYPE OF IMPLEMENT		PESO / WEIGHT			
POTENZA IN ENTRATA / INPUT POWER		RIF. CLIENTE / CUSTOMER REF.				M. Raffaldoni		CODICE / CODE	
35 CV 26 KW						DATA / DATE		REV.	
						9/1/07		S2070192G111	
								a	